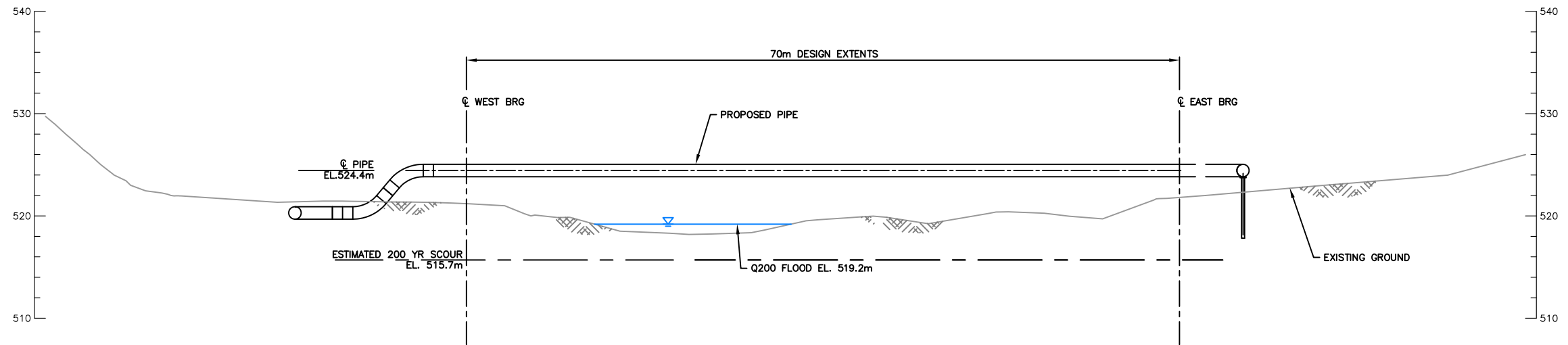


EXISTING SITE PLAN



EXISTING SITE PROFILE

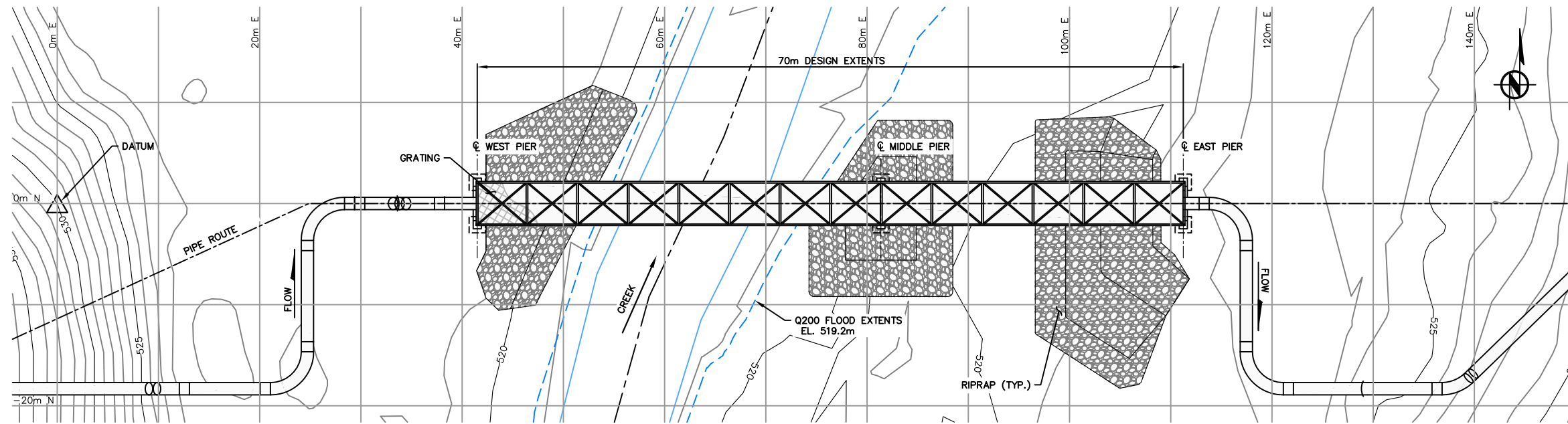
NOT FOR CONSTRUCTION

PAPER SIZE: 11" x 17"

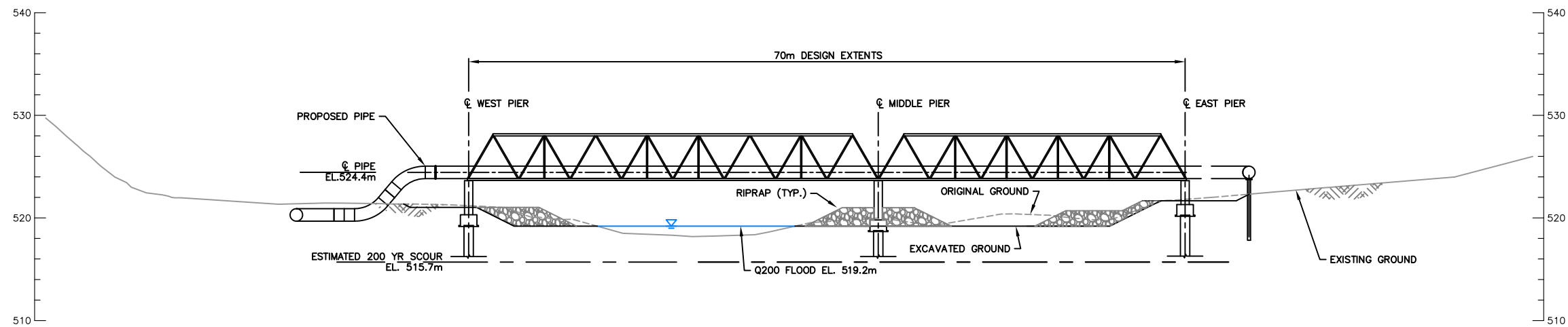
REV. NO.	REVISIONS	DATE	DRAWN	APPR'D
1	ISSUED FOR CLIENT REVIEW	MAR 16, 2015	OL	MC


 PROJECT
 CIVL 7090 - CAPSTONE DESIGN PROJECT

DATE MAR. 16, 2015	NAME OL	DWG. No. D01
SCALE 1:500	CHECK MC	
DWG. TITLE EXISTING SITE PLAN AND PROFILE		REV. 1



PLAN



PROFILE

NOTES:

1. BOTTOM OF TRUSS STRUCTURE AND FULL GRATING EXTENT NOT SHOWN FOR CLARITY.

NOT FOR CONSTRUCTION

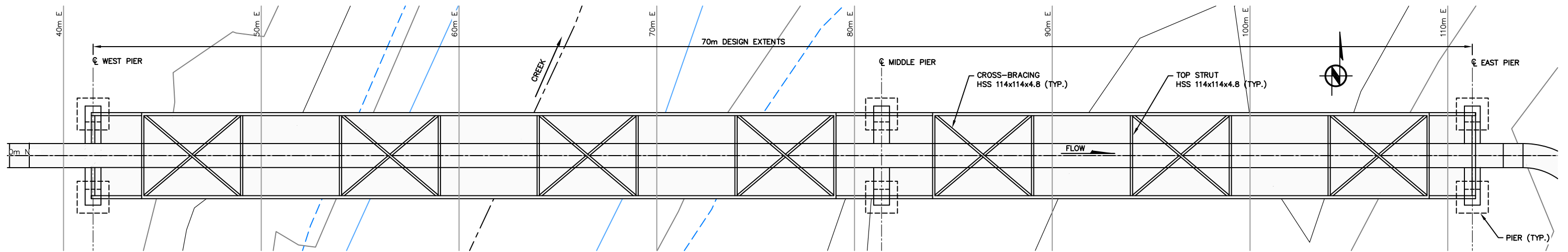
PAPER SIZE: 11" x 17"

REV. NO.	REVISIONS	DATE	DRAWN	APPR'D
1	ISSUED FOR CLIENT REVIEW	MAR 16, 2015	OL	MC

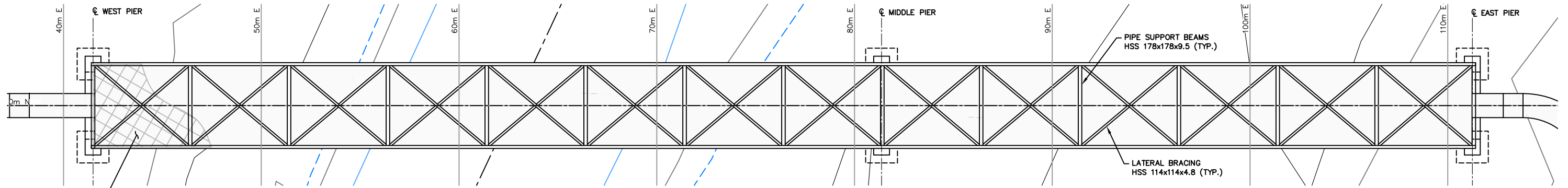
PROJECT
CIVL 7090 - CAPSTONE DESIGN PROJECT



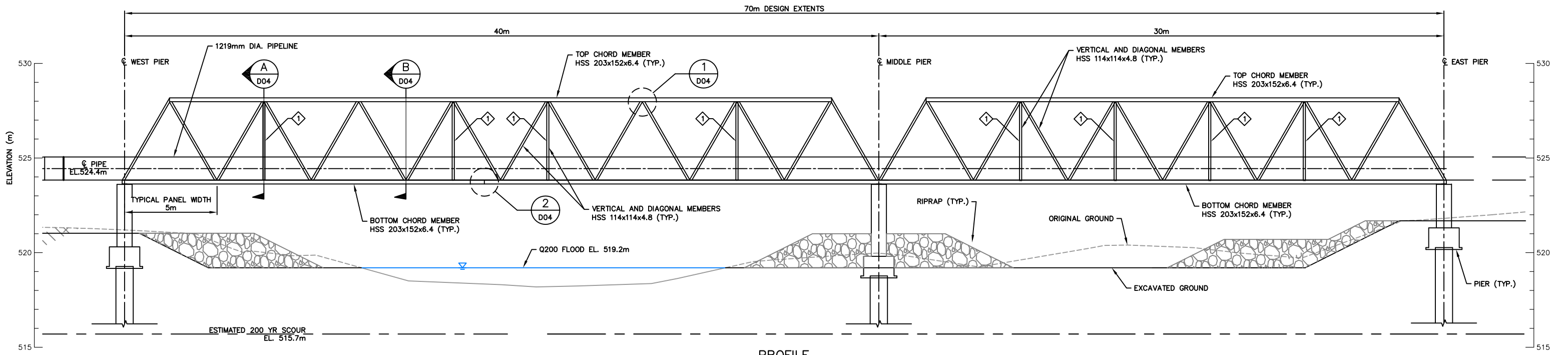
DATE	NAME	DWG. No.
MAR. 16, 2015	OL	D02
SCALE 1:500	CHECK MC	
DWG. TITLE SITE GENERAL ARRANGEMENT		REV. 1



PLAN - TOP OF SUPERSTRUCTURE



PLAN - BOTTOM OF SUPERSTRUCTURE




PROFILE

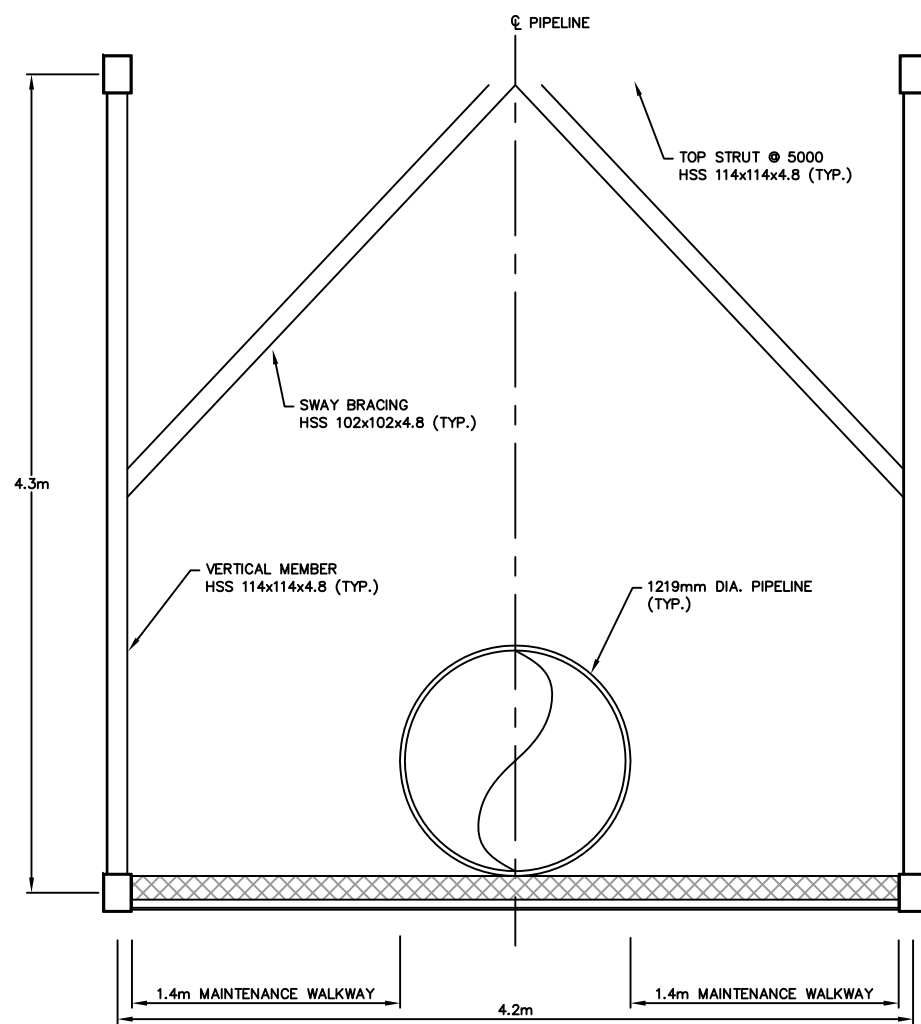
LEGEND:
 ① SWAY-BRACING LOCATION

NOTES:
 1. TOPOGRAPHY BELOW BRIDGE SUPERSTRUCTURE NOT SHOWN FOR CLARITY.
 2. HSS MEMBERS SHALL BE CSA G40.21.
 3. GRATING SHALL BE INSTALLED TO COVER 70m DESIGN EXTENTS.

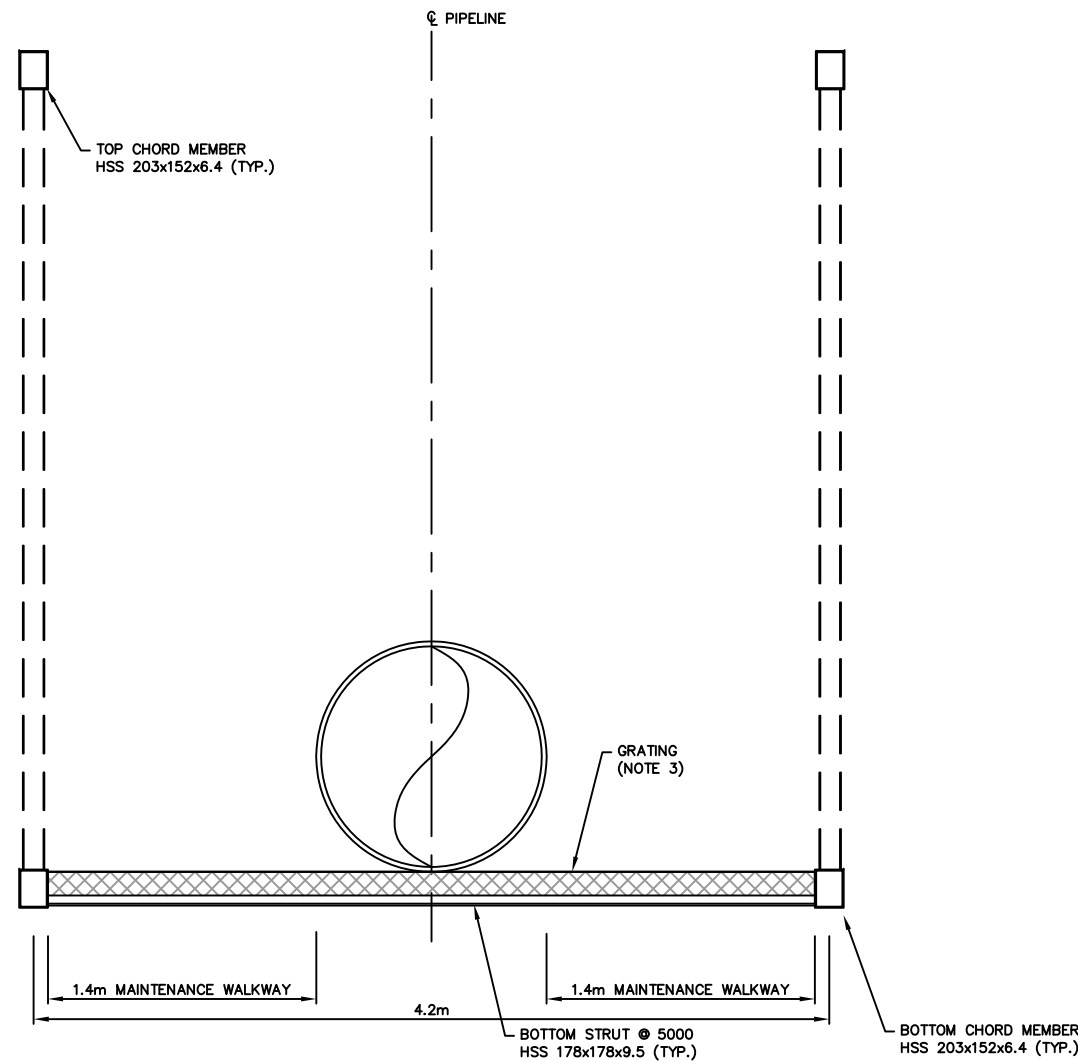
NOT FOR CONSTRUCTION

REV. NO.	REVISIONS	DATE	DRAWN	APPR'D
1	ISSUED FOR CLIENT REVIEW	MAR 16, 2015	OL	MC

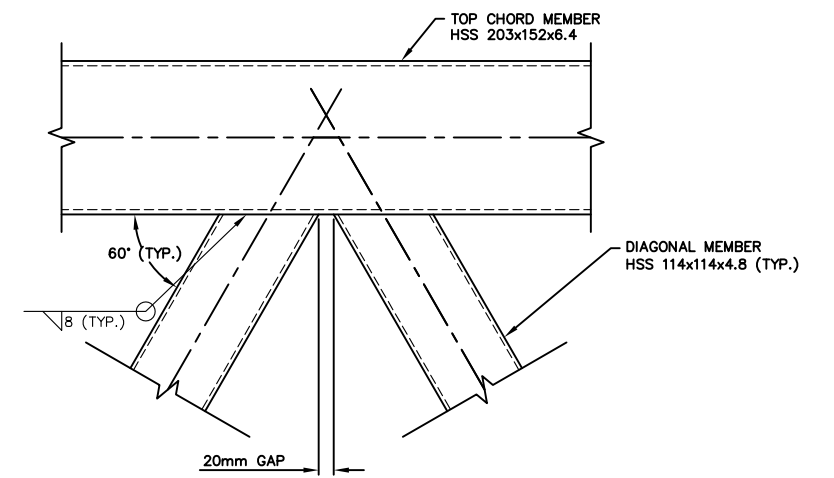
 PROJECT CIVL 7090 - CAPSTONE DESIGN PROJECT	PAPER SIZE: 11" x 17" DATE: MAR. 16, 2015 NAME: OL SCALE: 1:200 CHECK: MC	DWG. No. D03
	DWG. TITLE SUPERSTRUCTURE PLAN AND PROFILE	
	REV. 1	



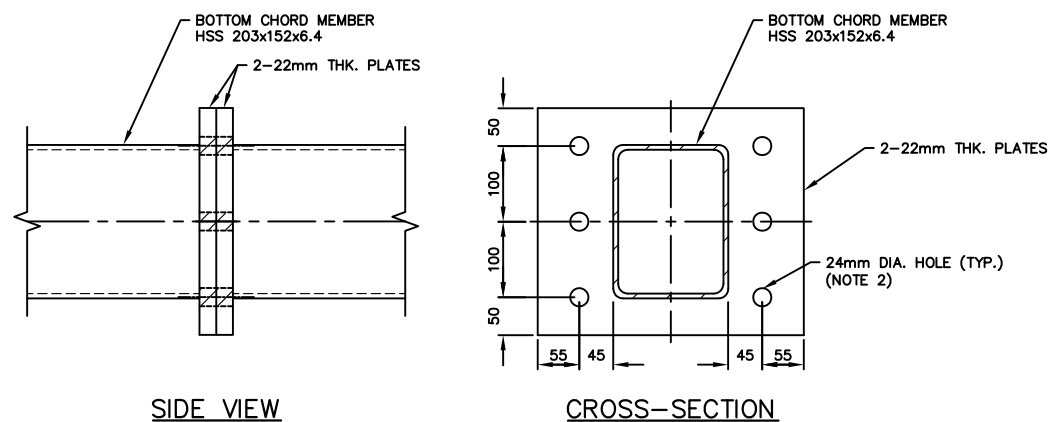
SECTION **A** TYPICAL SUPERSTRUCTURE SECTION THROUGH SWAY BRACING
SCALE 1:40



SECTION **B** TYPICAL SUPERSTRUCTURE SECTION THROUGH BOTTOM STRUT
SCALE 1:40



DETAIL **1** TYPICAL TOP CHORD TO DIAGONAL MEMBER CONNECTION
1:10



SIDE VIEW CROSS-SECTION
DETAIL **2** TYPICAL TENSION CHORD SPLICE CONNECTION
1:10

NOTES:

- HSS MEMBERS SHALL BE CSA G40.21.
- M22 BOLTS SHALL BE USED FOR THE TENSION CORD SPLICE CONNECTION.
- GRATING AND GRATING CONNECTIONS TO BE DESIGNED BY OTHERS.

NOT FOR CONSTRUCTION

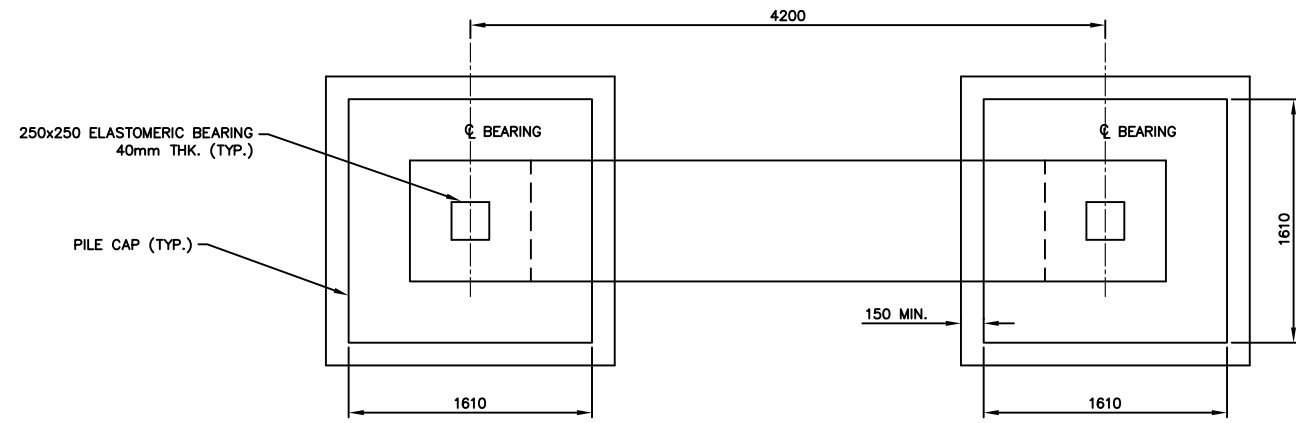
PAPER SIZE: 11" x 17"

REV. NO.	REVISIONS	DATE	DRAWN	APPR'D
1	ISSUED FOR CLIENT REVIEW	MAR 16, 2015	OL	MC



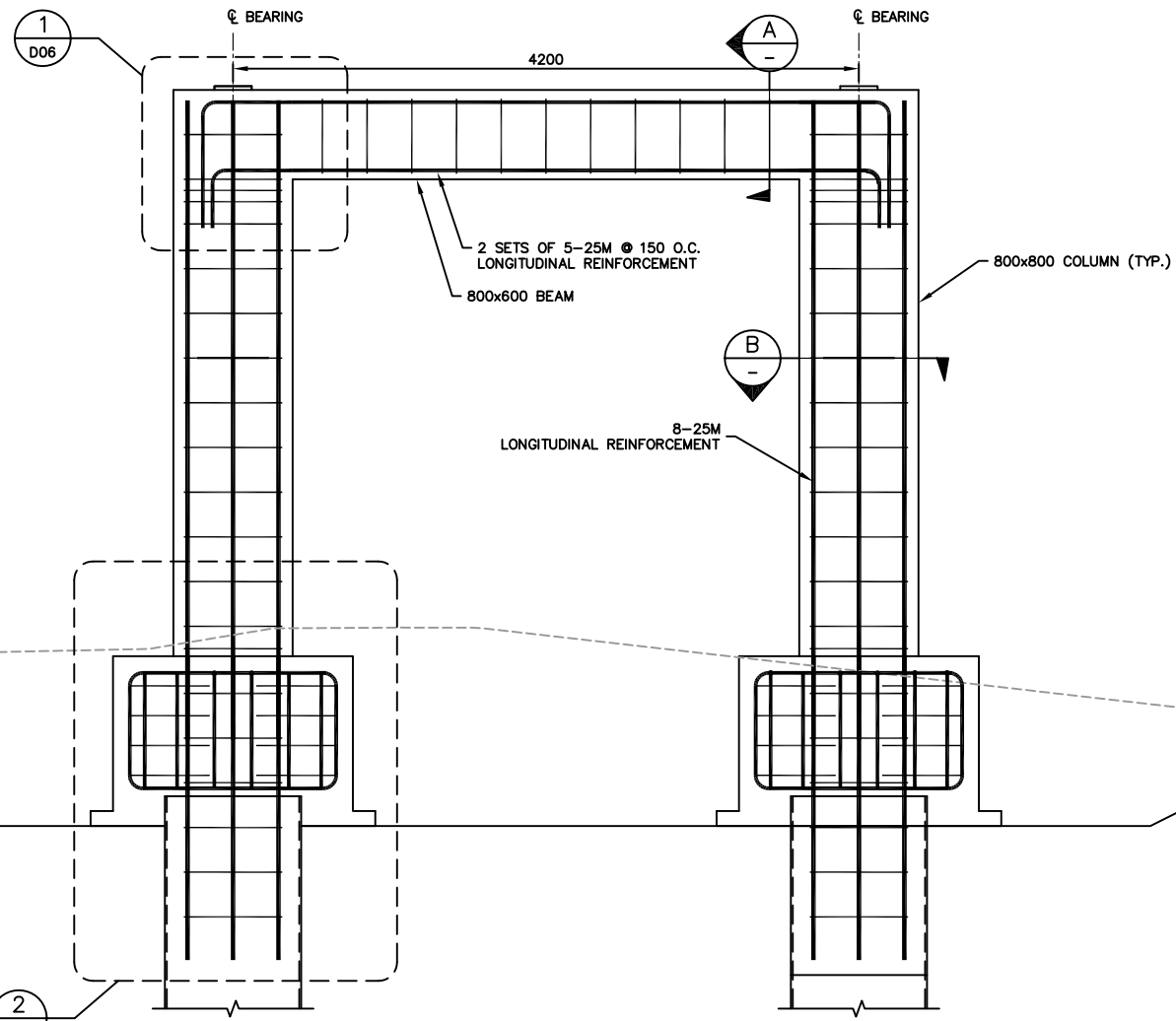
PROJECT
CIVL 7090 - CAPSTONE DESIGN PROJECT

DATE	NAME	DWG. No.
MAR. 16, 2015	OL	D04
AS SHOWN	MC	
DWG. TITLE		REV.
SUPERSTRUCTURE SECTIONS AND DETAILS		1

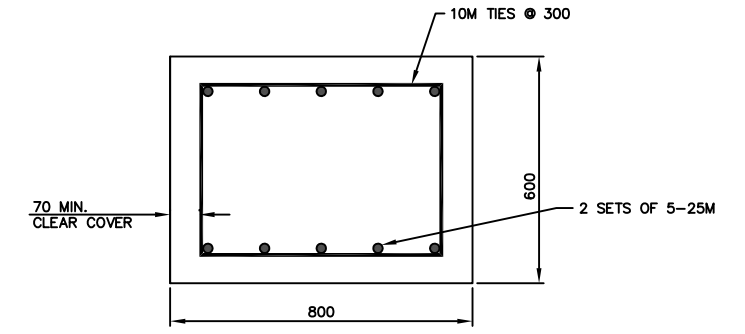


PLAN - PIER
SCALE 1:50

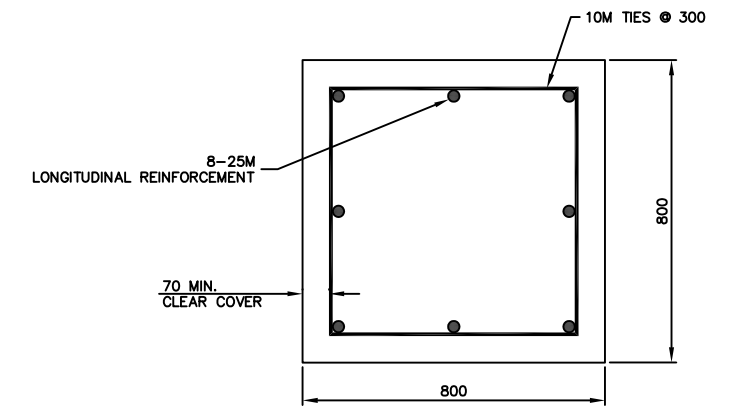
PIERS		
PIER	COLUMN HEIGHT (m)	EXCAVATION ELEVATION (m)
WEST PIER	3.3	519.2
MIDDLE PIER	3.8	518.7
EAST PIER	2.3	520.2



ELEVATION - PIER
SCALE 1:50



SECTION A TYPICAL BEAM CROSS-SECTION
SCALE 1:20



SECTION B TYPICAL COLUMN CROSS-SECTION
SCALE 1:20

NOTES:

1. CONCRETE SHALL HAVE A COMPRESSIVE STRENGTH AT 28 DAYS.
2. REINFORCEMENT SHALL HAVE A YIELD STRENGTH OF 400 MPa.
3. MIDDLE PIER GROUND PROFILE SHOWN.

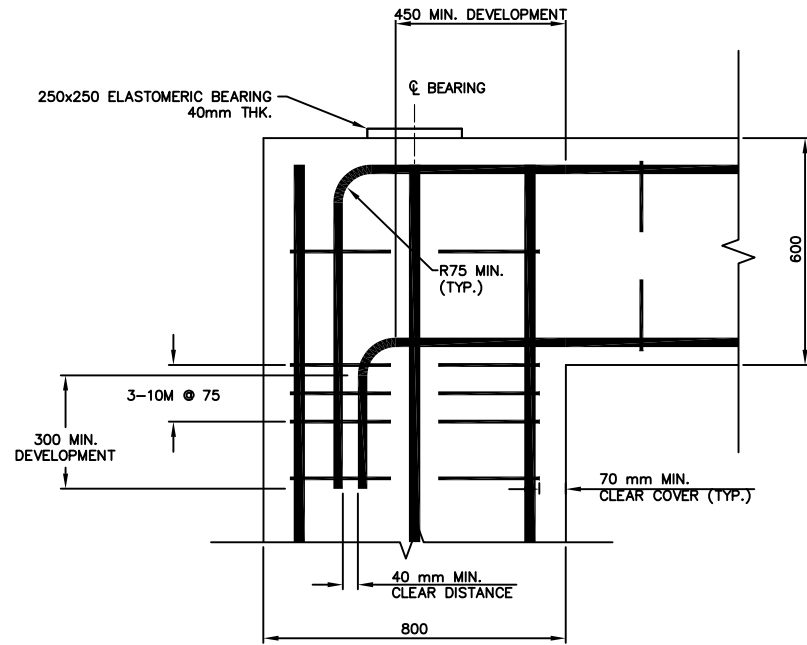
NOT FOR CONSTRUCTION

PAPER SIZE: 11" x 17"

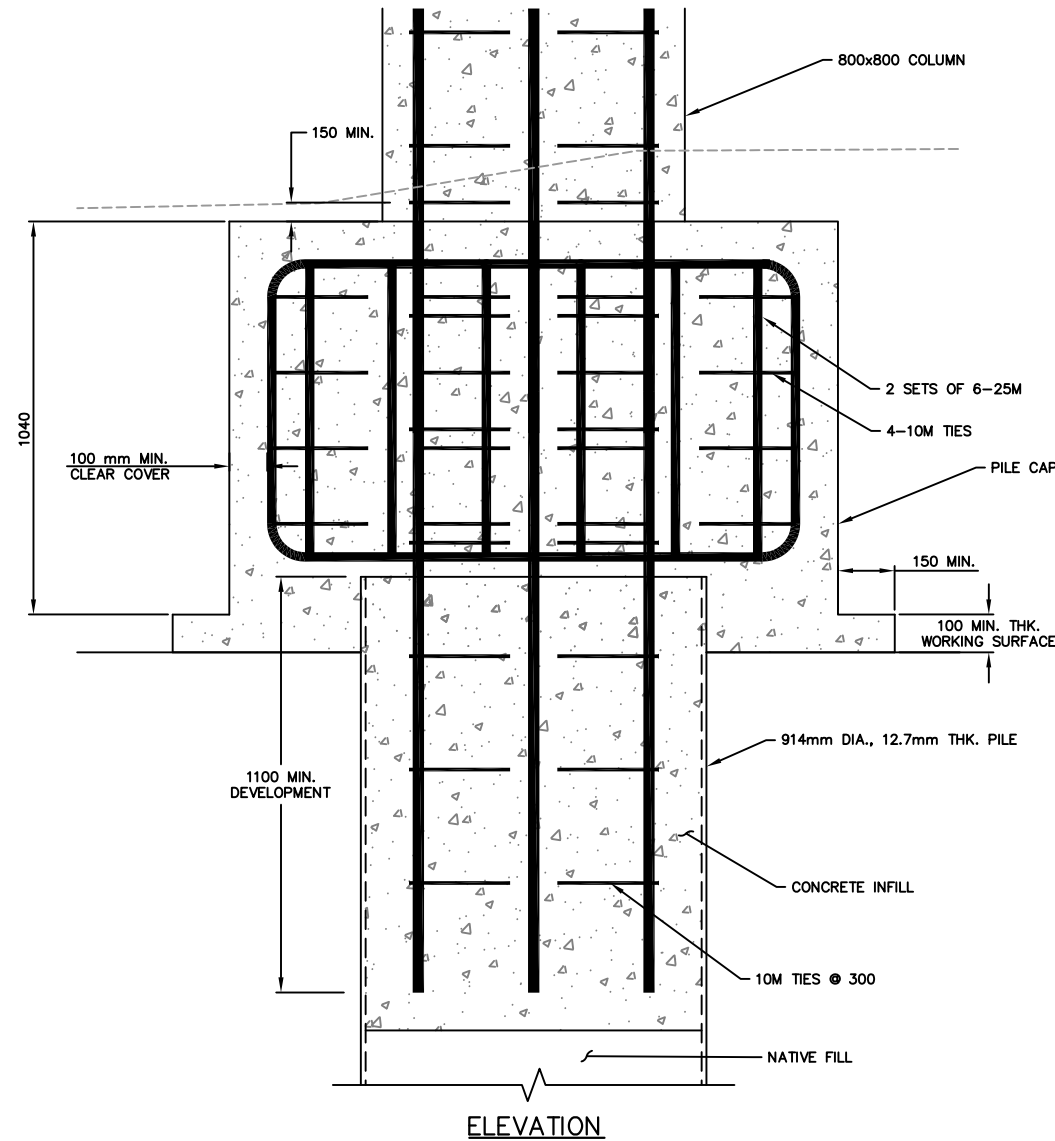
REV. NO.	REVISIONS	DATE	DRAWN	APPR'D
1	ISSUED FOR CLIENT REVIEW	MAR 16, 2015	OL	MC

PROJECT
CIVL 7090 - CAPSTONE DESIGN PROJECT

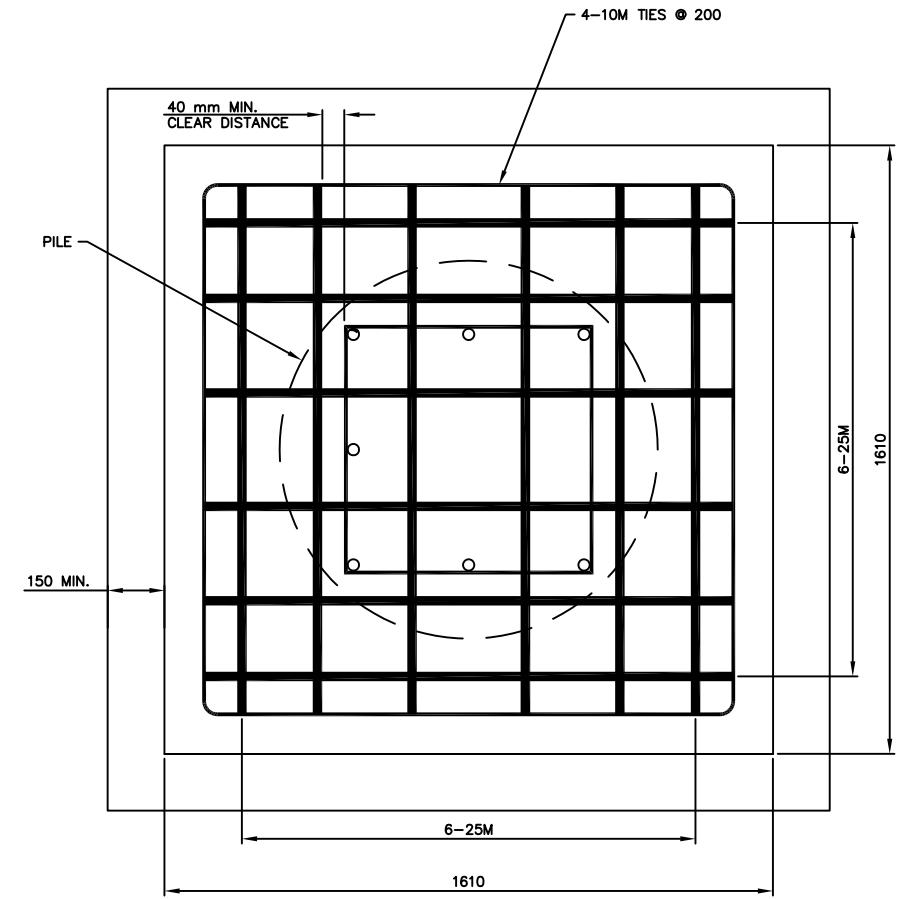
DATE	NAME	DWG. No.
MAR. 16, 2015	OL	D05
SCALE AS SHOWN	CHECK MC	
DWG. TITLE		REV.
SUBSTRUCTURE ELEVATION AND DETAILS SHEET 1		1



DETAIL 1 TYPICAL BEAM TO COLUMN CONNECTION
1:20 D05



ELEVATION



PLAN

DETAIL 2 PILECAP
1:20 D05

NOTES:

1. CONCRETE SHALL HAVE A COMPRESSIVE STRENGTH AT 28 DAYS.
2. REINFORCEMENT SHALL HAVE A YIELD STRENGTH OF 400 MPa.

NOT FOR CONSTRUCTION

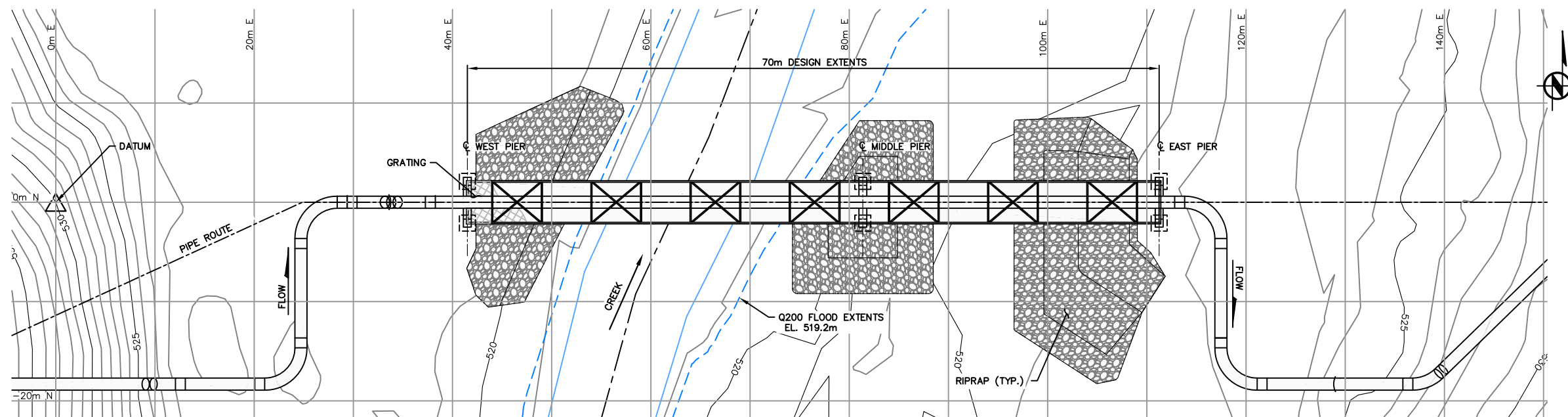
PAPER SIZE: 11" x 17"

REV. NO.	REVISIONS	DATE	DRAWN	APPR'D
1	ISSUED FOR CLIENT REVIEW	MAR 16, 2015	OL	MC

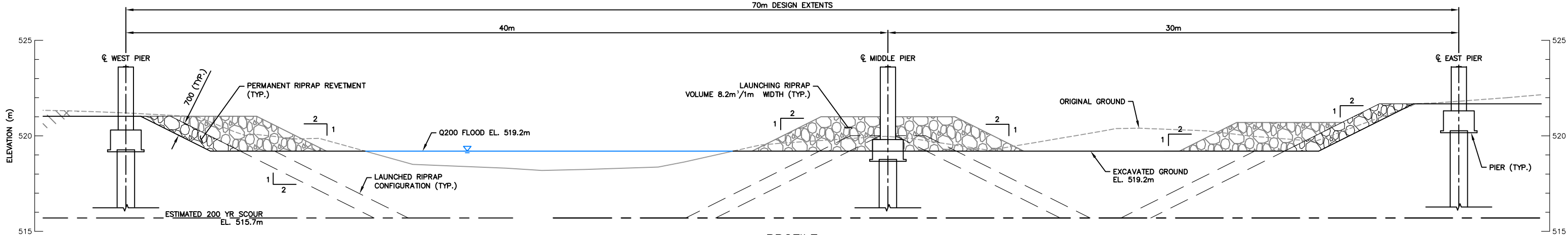
PROJECT
CIVL 7090 - CAPSTONE DESIGN PROJECT



DATE	NAME	DWG. No.
MAR. 16, 2015	OL	D06
SCALE AS SHOWN	CHECK MC	
DWG. TITLE		REV.
SUBSTRUCTURE ELEVATION AND DETAILS SHEET 2		1



PLAN
SCALE 1:500



PROFILE
SCALE 1:200

NOTES:

- BRIDGE SUPERSTRUCTURE AND PIPELINE NOT SHOWN ON PROFILE FOR CLARITY.

NOT FOR CONSTRUCTION

PAPER SIZE: 11" x 17"

REV. NO.	REVISIONS	DATE	DRAWN	APPR'D
1	ISSUED FOR CLIENT REVIEW	MAR 16, 2015	OL	MC



PROJECT
CIVL 7090 - CAPSTONE DESIGN PROJECT

DATE	NAME	DWG. No.
MAR. 16, 2015	OL	D07
SCALE AS SHOWN	CHECK MC	
DWG. TITLE		REV.
EROSION PROTECTION PLAN		1